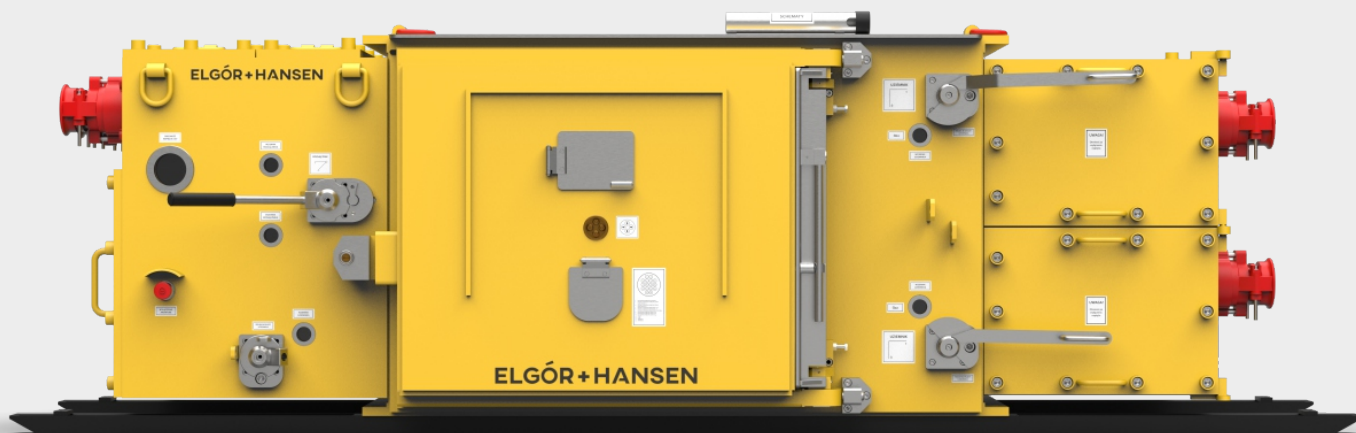


## MEDIUM VOLTAGE POWER DISTRIBUTION EQUIPMENT

### COMPACT VOLTAGE UNIT UP TO 6 kV EH-d03-W/6.0/I/0.3



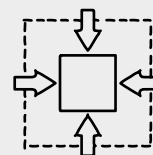
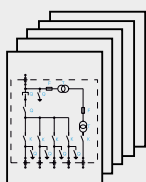
#### KEY FEATURES:

↳ 2014/34/UE  
(ATEX)

↳ remote/local control

↳ high level of safety

↳ compact design



## MEDIUM VOLTAGE POWER DISTRIBUTION EQUIPMENT

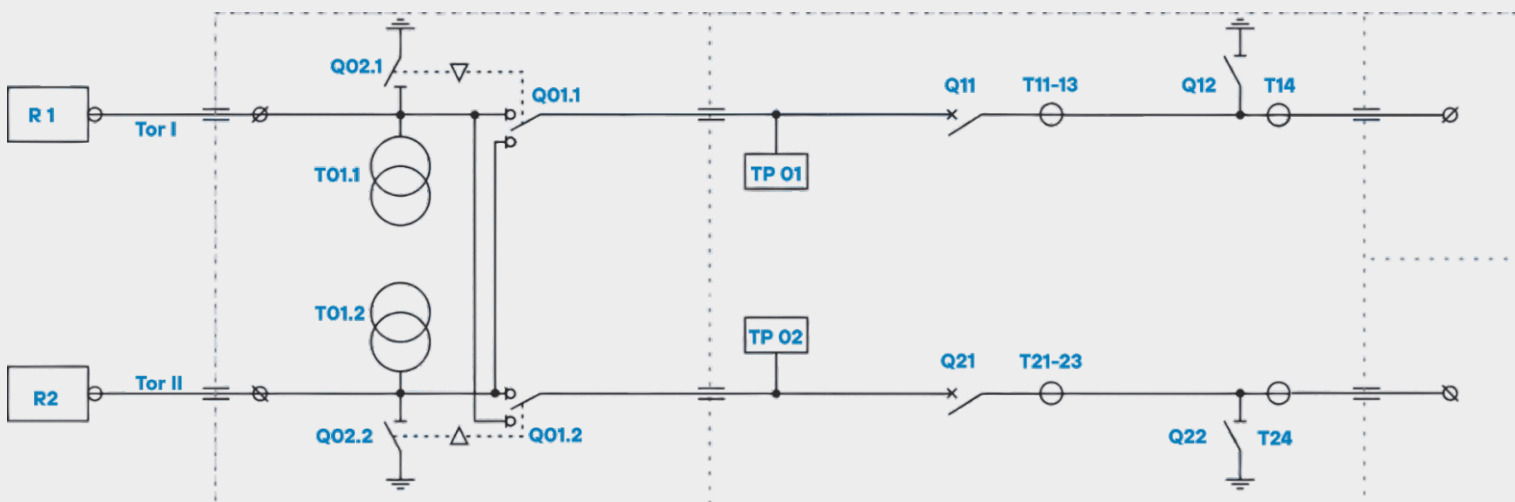
### COMPACT VOLTAGE UNIT UP TO 6 kV EH-d03-W/6.0/I/0.3

#### PRODUCT DESCRIPTION

The dual-outlet compact unit is an electrical connector used in underground mining distribution networks and medium-voltage/6kV branch networks with an isolated neutral point of the supply transformer. The unit is an explosion-proof device and, in accordance with Polish regulations implementing the Geological and Mining Law, it can be installed in underground workings of non-methane and methane mining plants with methane hazard levels "a", "b" and "c" and coal dust explosion hazard classes A and B. The position of the contacts of all main circuit devices can be observed through flameproof sight glasses, and the presence of voltage at the unit's supply terminals is indicated on voltage indicators.

The dual-drain compact unit is equipped with a local and remote control system (via external consoles or a data transmission interface) and the option of connecting external technological interlocks. Optional intrinsically safe separators installed outside the drain chamber enable connection to external control circuits and data transmission. The unit's design has been developed in accordance with the requirements of the ATEX directives, and the declaration of conformity makes the two-drain compact unit suitable for use in rooms with an explosive atmosphere of group I, category M2. In addition, the compact unit can be installed in generally accessible rooms of a mining plant, similar to low-voltage equipment

#### EXAMPLE DIAGRAM



## MEDIUM VOLTAGE POWER DISTRIBUTION EQUIPMENT

### COMPACT VOLTAGE UNIT UP TO 6 kV EH-d03-W/6.0/I/0.3

#### TECHNICAL SPECIFICATIONS

**7,2kV**

maximum operating  
voltage

**6,0 kV**

rated insulation voltage

**6,0 kV**

rated switching voltage

**50/60Hz**

rated frequency

**630 A**

rated continuous current

**do 400 A**

maximum continuous  
current of a single drain

**2**

number of drains

**20 kA**

rated breaking current

**25 kA**

rated current 1-second  
withstand current

**51 kA**

peak rated current

**100 MVA**

maximum short-circuit power  
of the connected network

**Ip54**

degree of protection

**~2300kg**

weight

## MEDIUM VOLTAGE POWER DISTRIBUTION EQUIPMENT

### COMPACT VOLTAGE UNIT UP TO 6 kV EH-d03-W/6.0/I/0.3

#### DEVICE CONSTRUCTION, DIMENSIONS AND DESCRIPTIONS

