

STANDARD STRUCTURE



TRANSFORMER STATIONS VOLTAGE RATIO

6kV/1kV or 0,5kV

(up to 6,6kV/up to 1,2kV or up to 0,66kV)

power up to 400kVA up to 630kVA

TECHNICAL DATA

EH-n33-400/6,0/0,5/2/02.23			
Rated power	400kVA	Rated Frequency	50Hz
Rated voltage		Cooling	AN
Primary	6kV	Transformer insulation class	H
Secondary	0,525kV	Continuous current of a single output	440A
Rated current		Casing protection grade	IP54
Primary	38,5A	Masa	3950kg
Secondary	440A	Dimensions	1497 x 1450 x 3020 mm
Short-circuit voltage:	4%	Quality assurance	1453
Idle run loss	1250W	Manufacturer	Elgór+Hansen S.A.
Load loss	2950W		

FAMUR
ELGÓR+HANSEN

■ Safety and Power

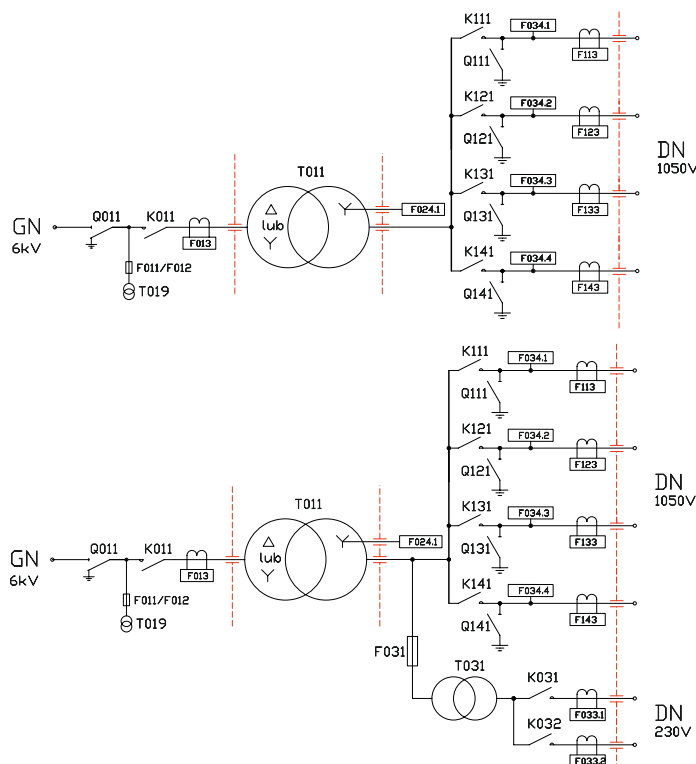
CHARACTERISTICS

The EH-n33-400/3,0/0,5/2/02.00 type transformer station is a supplying device suitable for installation inside underground mining excavations without or with a methane explosion hazard and belonging to the class A dust coal explosion hazard ones. Characteristic features such as power, voltage ratio, weight, dimensions, protection grade etc. are stated on a rating plate, located on the transformer station casing.

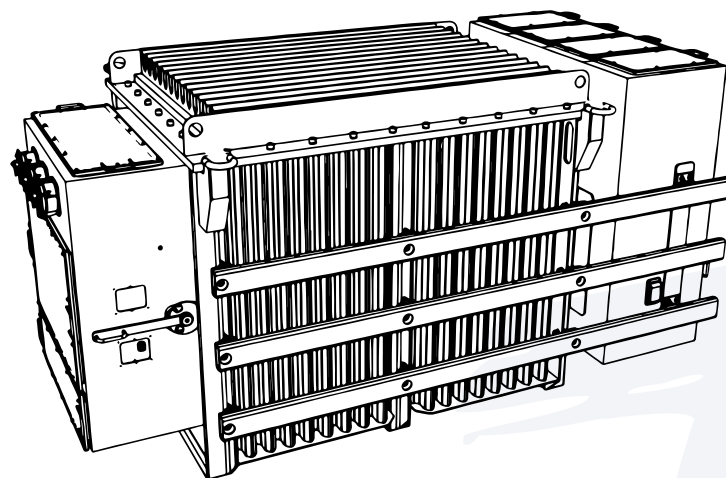
Stations' segmental structure, with division to chambers and compartment ensures:

- separation of the whole-mine distribution network with division installations,
- supply of receivers in the division installations,
- protection against short circuits, overcharging or asymmetry on the lower voltage (LV) side,
- protection against work at decreased insulation status on the LV side,
- operational safety by using earthing switch/switches on the LV side and tri-position insulation disconnecting switch on the high voltage (HV) side. .

EXAMPLE CONFIGURATIONS



- 6000V/1050V
- Q011-disconnector
- K011-contactor
- F011, F012-fuses
- T019-aux transformer
- T011- main transformer
- F001-fuses
- F024.1-central leakage protections
- F034.1, F034.2- blocking leakage protections
- K111, K121-low voltage contactor
- Q111, Q121-fast earthing switch
- F113, F123, F133, F143-overcurrent protections
- F031-fuses
- T031-aux transformer
- K031, K032- aux output contactor
- F033.1, F033.2-overcurrent protection



FAMUR
ELGÓR+HANSEN

— Safety and Power

ul. Opolska 19, 41-500 Chorzów
tel. +48 32 249 94 80, tel./fax +48 32 241 34 57
www.elgorhansen.com